

**PLEASE CHECK WWW.MOLEX.COM FOR LATEST PART INFORMATION**

**Part Number:** [0472720023](#)  
**Status:** **Active**  
**Overview:** [displayport](#)  
**Description:** 0.50mm (.020") Pitch DisplayPort\* Male Receptacle, Right Angle, SMT, 0.76µm (30µ") Gold (Au) Plating, 20 Circuits, without Cover; with Mylar, Latch Holes, Flange, Peg and SMT Tab of Shell, Leadfree

**Documents:**

[3D Model](#) [Product Specification PS-47272-001 \(PDF\)](#)  
[Drawing \(PDF\)](#) [RoHS Certificate of Compliance \(PDF\)](#)

**Agency Certification**

UL E29179

**General**

Product Family I/O Connectors  
 Series [47272](#)  
 Application Wire-to-Board  
 Comments SMT Peg of Shell  
 Component Type Receptacle  
 Overview [displayport](#)  
 Product Name DisplayPort\*  
 Type N/A

**Physical**

Boot Color N/A  
 Circuits (Loaded) 20  
 Circuits (maximum) 20  
 Color - Resin Black  
 Flammability 94V-0  
 Gender Male  
 Keying to Mating Part Yes  
 Lock to Mating Part Yes  
 Material - Metal Copper Alloy  
 Material - Plating Mating Gold  
 Material - Plating Termination Tin-Bismuth  
 Material - Resin High Temperature Thermoplastic  
 Number of Rows 2  
 Orientation Right Angle  
 PCB Locator Yes  
 PCB Retention Yes  
 Packaging Type Embossed Tape on Reel  
 Panel Mount With Flange  
 Pitch - Mating Interface (in) 0.039 In  
 Pitch - Mating Interface (mm) 0.50 mm  
 Pitch - Term. Interface (in) 0.039 In  
 Pitch - Term. Interface (mm) 0.50 mm  
 Plating min: Mating (µin) 30  
 Plating min: Mating (µm) 0.76  
 Plating min: Termination (µin) 40  
 Plating min: Termination (µm) 1  
 Polarized to Mating Part Yes  
 Polarized to PCB Yes  
 Ports 1  
 Temperature Range - Operating -20°C to +85°C  
 Termination Interface: Style Surface Mount



*image - Reference only*

*Series*

**EU RoHS**

**ELV and RoHS Compliant**  
**REACH SVHC**  
 Not Reviewed  
**Halogen-Free Status**

**China RoHS**



**Need more information on product environmental compliance?**

Email [productcompliance@molex.com](mailto:productcompliance@molex.com)  
 For a multiple part number RoHS Certificate of Compliance, [click here](#)

Please visit the [Contact Us](#) section for any non-product compliance questions.

**Search Parts in this Series**

[47272Series](#)

**Mates With**

[47271](#) Plug Sub-Assemblies, [68783](#) Cable Series

Waterproof / Dustproof No

**Electrical**

Current - Maximum per Contact 0.5A  
Grounding to Panel Yes  
Shielded Yes  
Voltage - Maximum 40V AC

**Material Info**

**Reference - Drawing Numbers**

Packaging Specification PK-47272-003  
Product Specification PS-47272-001  
Sales Drawing SD-47272-001

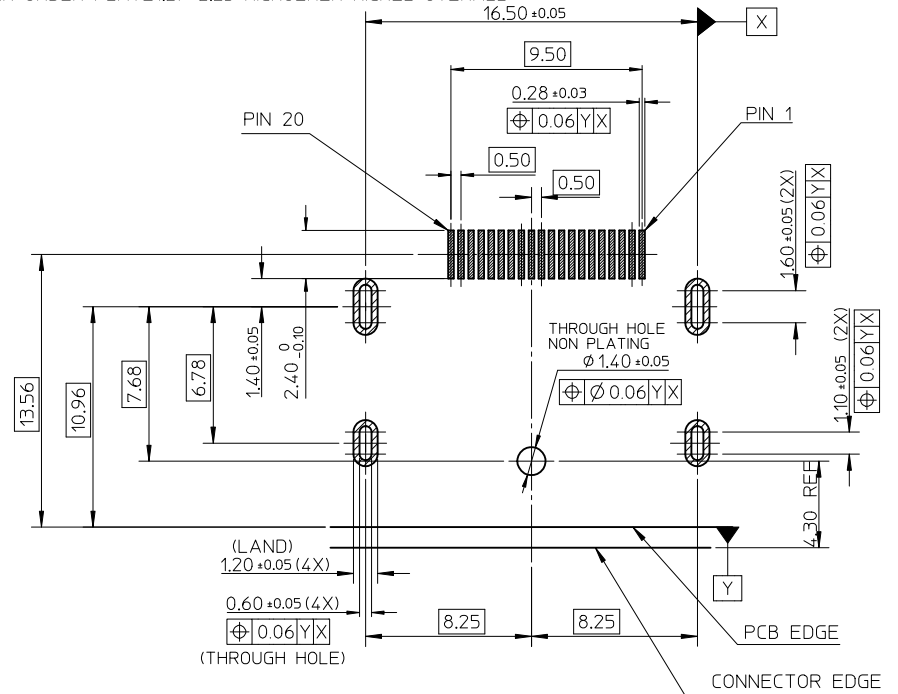
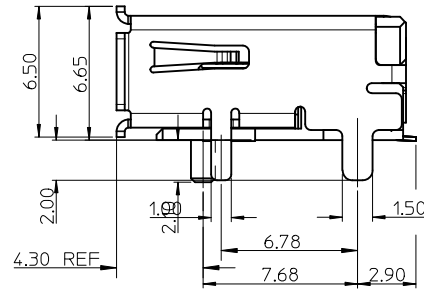
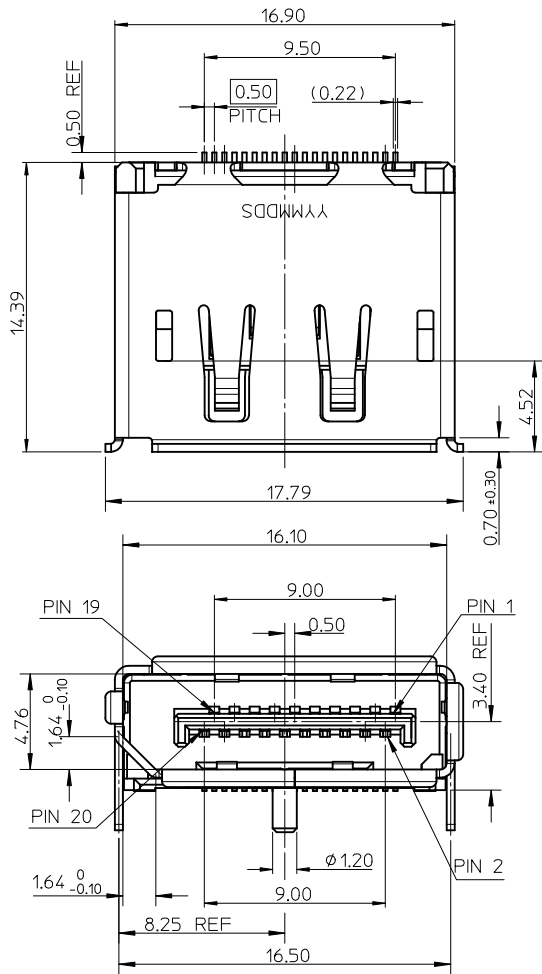
\* DisplayPort is a Trademark of VESA

This document was generated on 05/19/2010

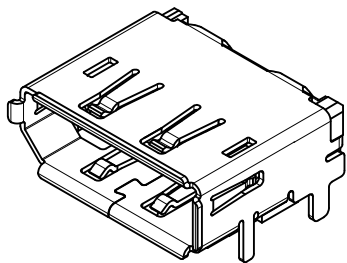
**PLEASE CHECK [WWW.MOLEX.COM](http://WWW.MOLEX.COM) FOR LATEST PART INFORMATION**

NOTES:

1. MATERIAL:
  - HOUSING: HIGH TEMPERATURE THERMAL PLASTIC, BLACK, 30% GLASS FILLED, UL94V-0.
  - TERMINAL: COPPER ALLOY.
  - SHELL: COPPER ALLOY.
2. PLATING:
  - TERMINAL: CONTACT AREA(1)0.76 MICROMETER GOLD PLATING
  - (2)0.38 MICROMETER GOLD PLATING
  - (3)GOLD FLASH PLATING
  - (4)0.64MIN. MICROMETER PALLADIUM/NICKEL AND GOLD FLASH PLATING
  - AND SOLDER TAIL 1-3 MICROMETER TIN BISMUTH UNDER PLATE1-3 MICROMETER NICKEL PLATING OVERALL.
  - SHELL:(a)1.27-2.54 MICROETER SOLDERABLE NICKEL PLATING OVERALL.
  - (b)SHELL PEG SOLDERING SURFACE PLATE GOLD FLASH UNDER PLATE1-3 MICROMETER NICKEL PLATING OVERALL.
  - (c) SHELL PLATE 2.1~3.0 MICROMETER TIN UNDER PLATE1.27~2.25 MICROERER NICKEL OVERALL
3. SOLDERTAIL COPLANARITY 0.10 MAX.
4. PS REFER TO PS-47272-001



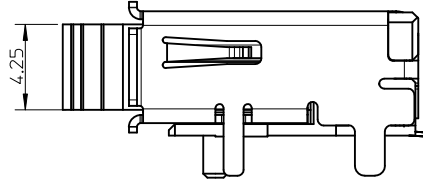
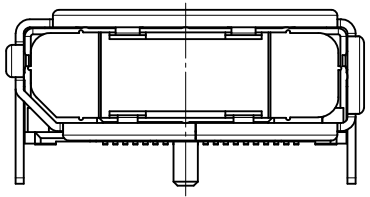
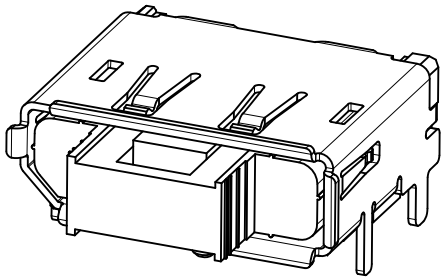
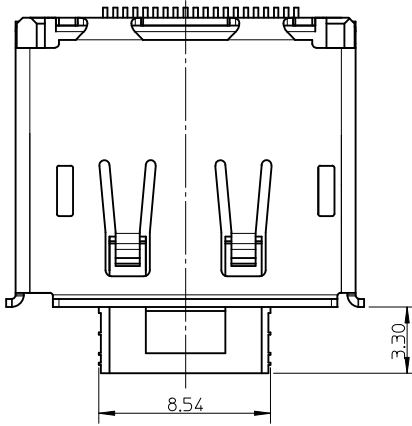
RECOMMENDED PCB LAYOUT (THICKNESS=1.6±0.15)



REVISED EC NO: SH2010-0353 DRWN: HHE CHKD: YANG05 APPR: RZHANG	DESCRIPTION 2010/03/08 2010/03/24 2010/03/29	QUALITY SYMBOLS ▽=0 ▽=0 ▽=0	GENERAL TOLERANCES (UNLESS SPECIFIED)		DIMENSION STYLE MM ONLY		SCALE 1:1	DESIGN UNITS METRIC	THIRD ANGLE PROJECTION	
			mm	INCH	DRAWN BY RZHANG	DATE 2005/07/01	TITLE 1.0MM PITCH DISPLAY PORT RECEPTACLE ASSEMBLY			
			4 PLACES ± ---	± ---	CHECKED BY IWANG	DATE 2005/07/01	MOLEX INCORPORATED			
			3 PLACES ± ---	± ---	APPROVED BY RZHANG	DATE 2010/03/26				
2 PLACES ± 0.25	± ---	ANGULAR ± 3 °		MATERIAL NO. SEE SHEETS 5	DOCUMENT NO. SD-47272-001	SHEET NO. 1 OF 8				
1 PLACE ± 0.25	± ---	DRAFT WHERE APPLICABLE MUST REMAIN WITHIN DIMENSIONS		SIZE A3	THIS DRAWING CONTAINS INFORMATION THAT IS PROPRIETARY TO MOLEX INCORPORATED AND SHOULD NOT BE USED WITHOUT WRITTEN PERMISSION					

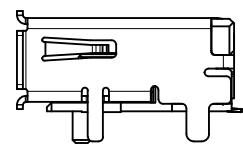
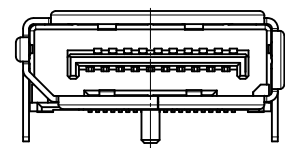
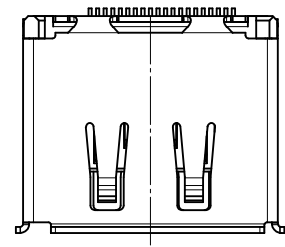
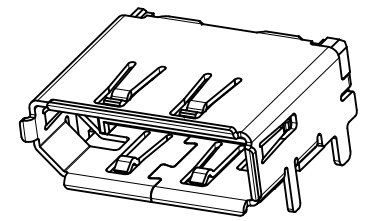
10 9 8 7 6 5 4 3 2 1

WITH COVER



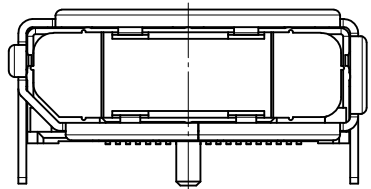
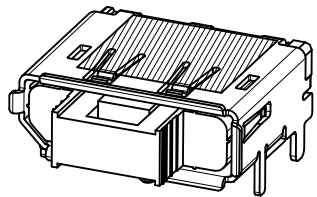
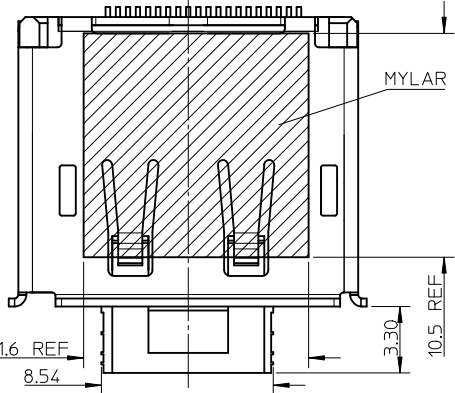
- NOTES:  
 1.UNSPECIFIED DIMENSION ARE SAME AS SHEET1  
 2.CONNECTOR WITH COVER IS USED FOR WARE SOLDERING PEG

WITHOUT LATCH HOLE



- NOTES:  
 1.UNSPECIFIED DIMENSION ARE SAME AS SHEET1

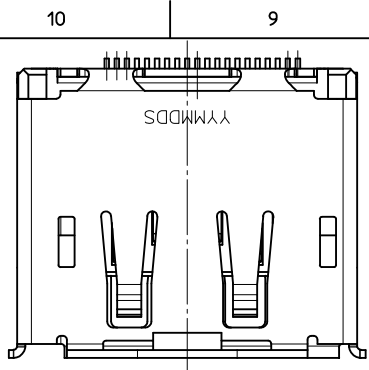
WITH COVER AND MYLAR



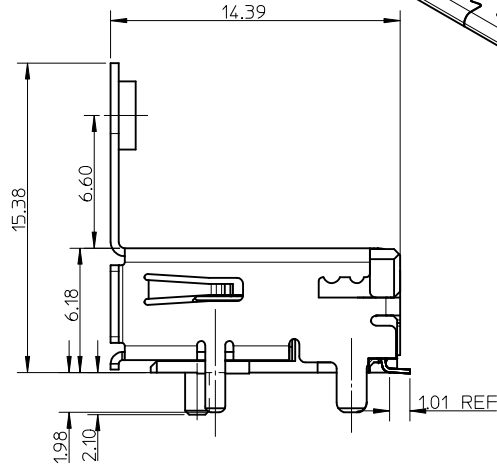
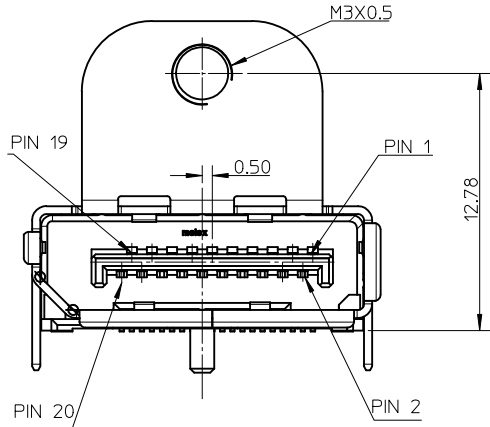
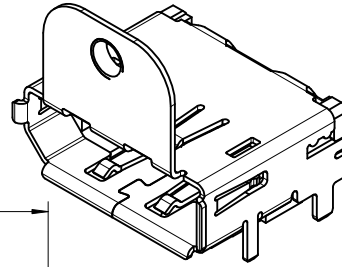
- NOTES:  
 1.UNSPECIFIED DIMENSION ARE SAME AS SHEET1  
 2.CONNECTOR WITH COVER IS USED FOR WARE SOLDERING PEG

REVISED EC NO: SH2010-0353 DRW:HHH 2010/03/08 CHK:D:YANG05 2010/03/24 APPR:RZHANG 2010/03/29	DESCRIPTION REV	QUALITY SYMBOLS	GENERAL TOLERANCES (UNLESS SPECIFIED)		DIMENSION STYLE	SCALE	DESIGN UNITS	THIRD ANGLE PROJECTION
		$\nabla_F=0$	mm	INCH	MM ONLY	1:1	METRIC	
		$\nabla_F=0$	4 PLACES ± ---	± ---	DRAWN BY	DATE	TITLE	
		$\nabla_F=0$	3 PLACES ± ---	± ---	RZHANG	2005/07/01	1.0MM PITCH DISPLAY PORT RECEPTACLE ASSEMBLY	
		2 PLACES ± 0.25	± ---	CHECKED BY	DATE			
		1 PLACE ± 0.25	± ---	IWANG	2005/07/01			
		ANGULAR ± 3 °		APPROVED BY	DATE	MOLEX MOLEX INCORPORATED		
		DRAFT WHERE APPLICABLE MUST REMAIN WITHIN DIMENSIONS		RZHANG	2010/03/26	DOCUMENT NO.	SD-47272-001	SHEET NO.
				SEE SHEETS 5				2 OF 8
				THIS DRAWING CONTAINS INFORMATION THAT IS PROPRIETARY TO MOLEX INCORPORATED AND SHOULD NOT BE USED WITHOUT WRITTEN PERMISSION				

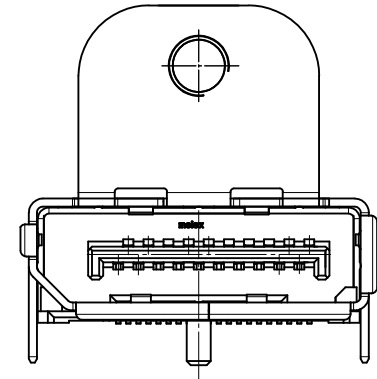
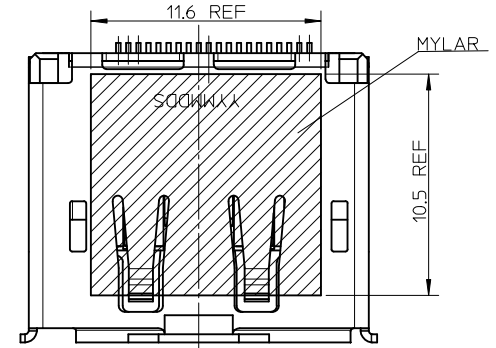
9 8 7 6 5 4 3 2 1



WITH FLANGE AND THROUGH HOLE PEG

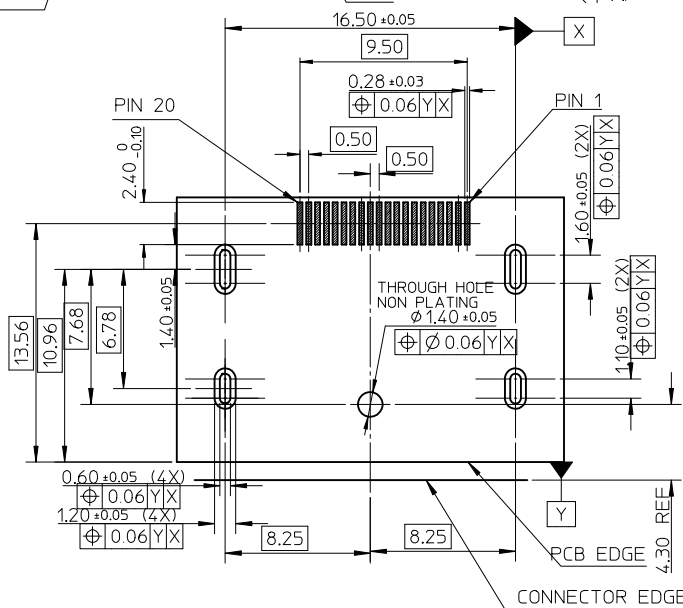


WITH MYLAR



NOTES:  
UNSPECIFIED DIMENSION ARE SAME AS SHEET1

NOTES:  
UNSPECIFIED DIMENSION ARE SAME AS SHEET1

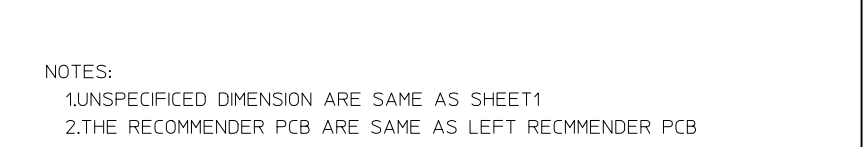
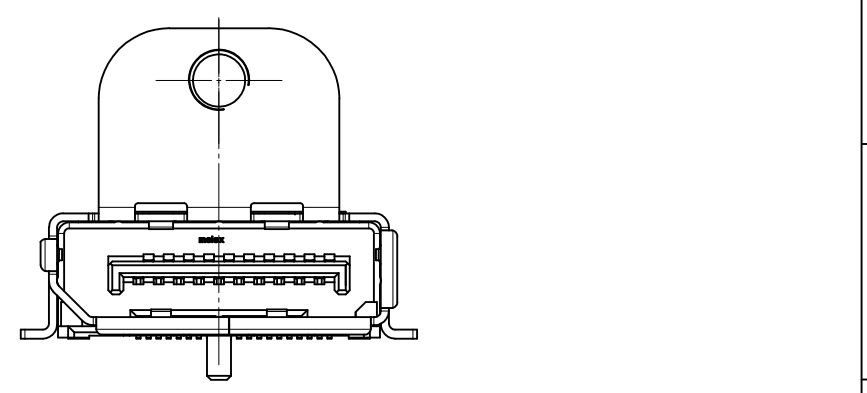
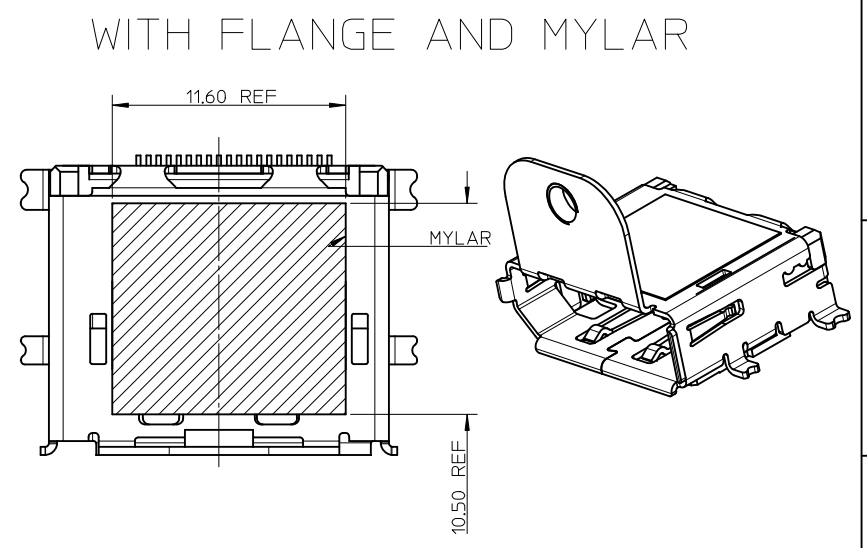
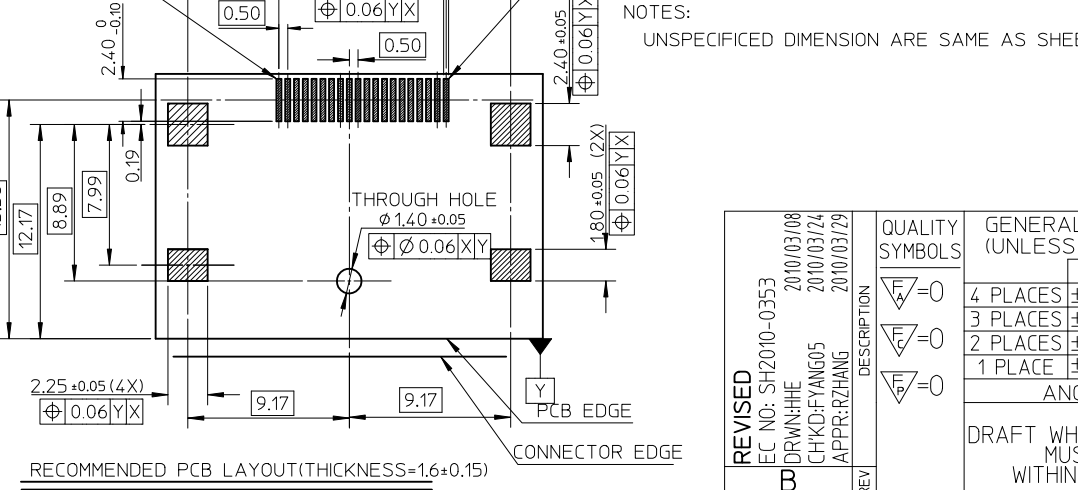
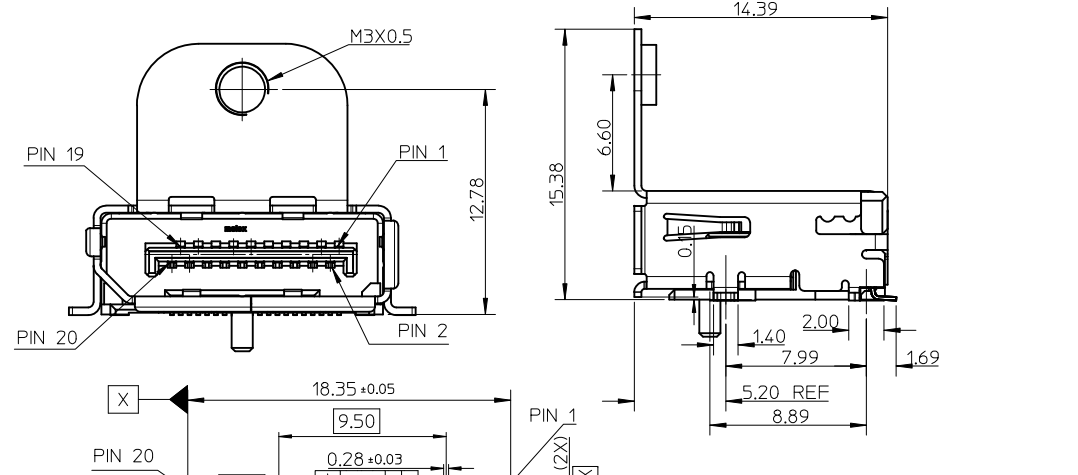
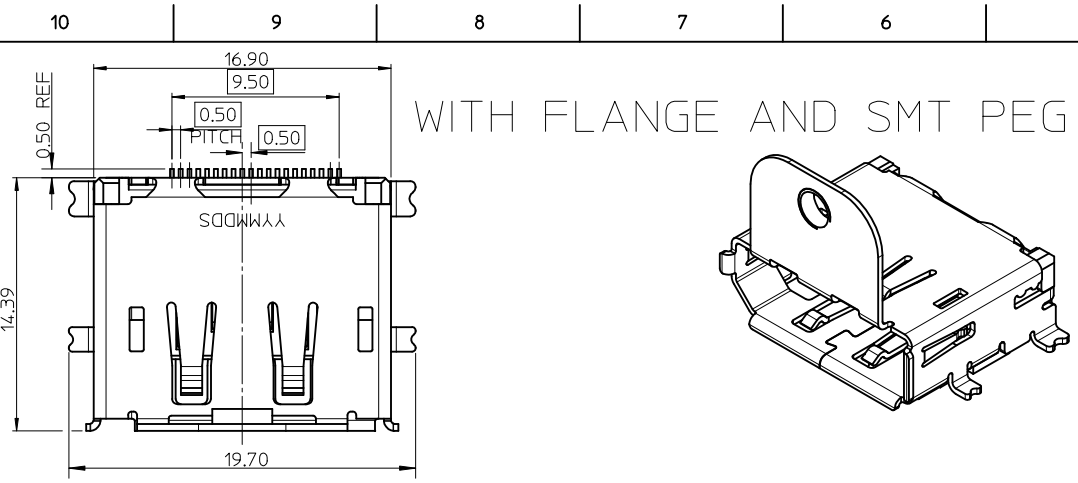


REVISED	EC NO: SH2010-0353	2010/03/08	2010/03/24	2010/03/29
DRW:HHH	CHK:DFYANG	APP:RZHANG		
DESCRIPTION				
QUALITY SYMBOLS				
$\nabla_F=0$				
$\nabla_E=0$				
$\nabla_D=0$				

GENERAL TOLERANCES (UNLESS SPECIFIED)	mm	INCH
	4 PLACES ± ---	± ---
3 PLACES ± ---	± ---	
2 PLACES ± 0.25	± ---	
1 PLACE ± 0.25	± ---	
ANGULAR ± 3 °		
DRAFT WHERE APPLICABLE MUST REMAIN WITHIN DIMENSIONS		

DIMENSION STYLE		SCALE	DESIGN UNITS	THIRD ANGLE PROJECTION
MM ONLY		1:1	METRIC	
DRAWN BY	DATE	TITLE		
RZHANG	2005/07/01	1.0MM PITCH DISPLAY PORT RECEPTACLE ASSEMBLY		
CHECKED BY	DATE	MOLEX INCORPORATED		
IWANG	2005/07/01	SD-47272-001		
APPROVED BY	DATE	SHEET NO.		
RZHANG	2010/03/26	3 OF 8		
MATERIAL NO.	SEE SHEETS 5			

DRAWN BY		DATE	TITLE	
RZHANG		2005/07/01	1.0MM PITCH DISPLAY PORT RECEPTACLE ASSEMBLY	
CHECKED BY		DATE	MOLEX INCORPORATED	
IWANG		2005/07/01	SD-47272-001	
APPROVED BY		DATE	SHEET NO.	
RZHANG		2010/03/26	3 OF 8	
MATERIAL NO.		SEE SHEETS 5		
DRAWN BY		DATE	TITLE	
RZHANG		2005/07/01	1.0MM PITCH DISPLAY PORT RECEPTACLE ASSEMBLY	
CHECKED BY		DATE	MOLEX INCORPORATED	
IWANG		2005/07/01	SD-47272-001	
APPROVED BY		DATE	SHEET NO.	
RZHANG		2010/03/26	3 OF 8	
MATERIAL NO.		SEE SHEETS 5		



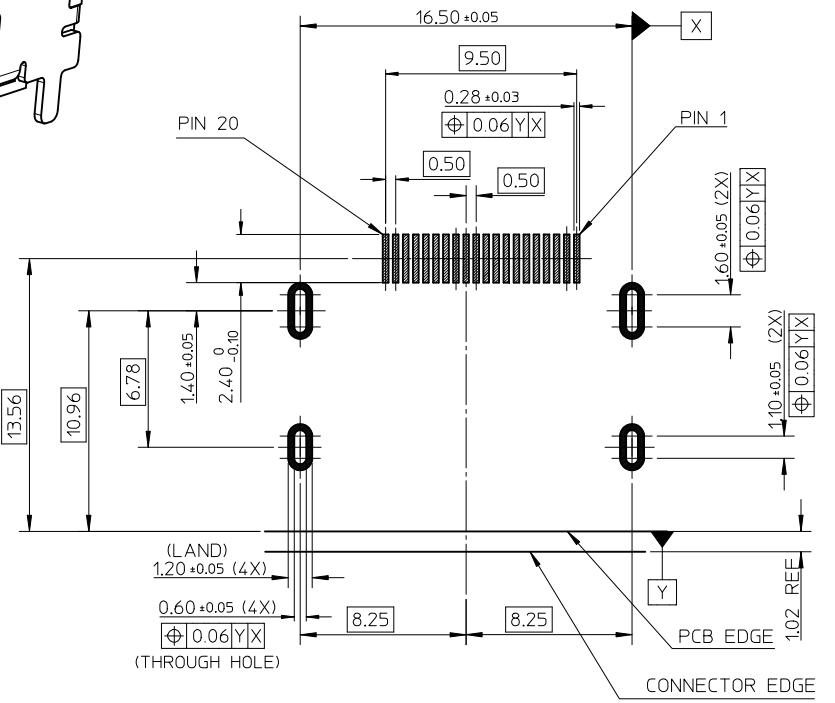
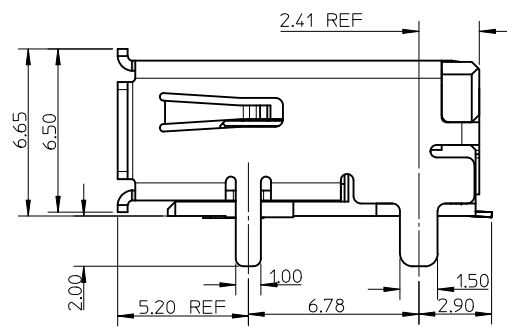
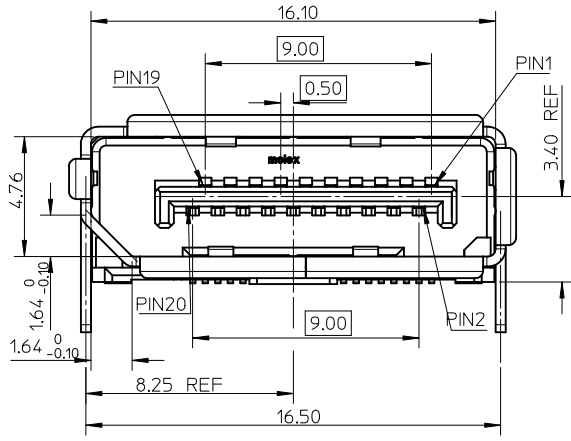
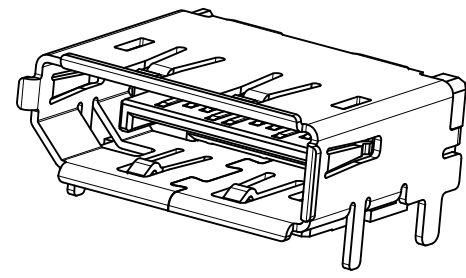
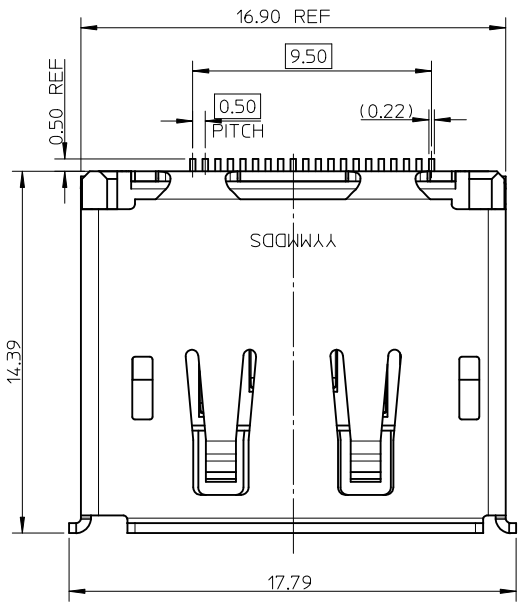
REVISED EC NO: SH2010-0353 DRWN: HHE CHKD: FYANG05 APPR: RZHANG	DESCRIPTION 2010/03/08 2010/03/24 2010/03/29	QUALITY SYMBOLS F <sub>A</sub> =0 F <sub>B</sub> =0 F <sub>C</sub> =0	GENERAL TOLERANCES (UNLESS SPECIFIED)		DIMENSION STYLE	SCALE	DESIGN UNITS	THIRD ANGLE PROJECTION
					MM ONLY	1:1	METRIC	
					DRAWN BY	DATE	TITLE	
					CHECKED BY	DATE	1.0MM PITCH DISPLAY PORT RECEPTACLE ASSEMBLY	
		4 PLACES ± --- ± ---		RZHANG	2005/07/01	MOLEX INCORPORATED		
		3 PLACES ± --- ± ---		IWANG	2005/07/01	SD-47272-001		
		2 PLACES ± 0.25 ± ---		APPROVED BY	DATE	SHEET NO.		
		1 PLACE ± 0.25 ± ---		RZHANG	2010/03/26	4 OF 8		
		ANGULAR ± 3 °		MATERIAL NO.	DOCUMENT NO.	THIS DRAWING CONTAINS INFORMATION THAT IS PROPRIETARY TO MOLEX INCORPORATED AND SHOULD NOT BE USED WITHOUT WRITTEN PERMISSION		
		DRAFT WHERE APPLICABLE MUST REMAIN WITHIN DIMENSIONS		SEE SHEETS 5				

	10	9	8	7	6	5	4	3	2	1		
	ASSEMBLY NO.	WITH COVER	WITH FLANGE	SMT PEG OF SHELL	THROUGH HOLE PEG OF SHELL	PLATING IN CONTACT AREA	SHELL PLATING	WITH LATCH HOLE	MYLAR	POST	PACKAGE METHOD	REMARK
F	47272-0001	WITHOUT	WITHOUT	/	WITH	SEE NOTE2(1)	SEE NOTE2(a)	WITH	WITHOUT	WITH		WITH EMI SHELL FOR SHEET 1
	47272-0002	WITHOUT	WITHOUT	/	WITH	SEE NOTE2(1)	SEE NOTE2(a)	WITH	WITHOUT	WITH		
	47272-0011	WITHOUT	WITHOUT	/	WITH	SEE NOTE2(2)	SEE NOTE2(a)	WITH	WITHOUT	WITH		
	47272-0021	WITHOUT	WITHOUT	/	WITH	SEE NOTE2(3)	SEE NOTE2(a)	WITH	WITHOUT	WITH		
E	47272-0003	WITHOUT	WITHOUT	/	WITH	SEE NOTE2(1)	SEE NOTE2(a)	WITHOUT	WITHOUT	WITH		FOR SHEET 2
	47272-1002	WITH	WITHOUT	/	WITH	SEE NOTE2(1)	SEE NOTE2(a)	WITH	WITHOUT	WITH		
	47272-0012	WITH	WITHOUT	/	WITH	SEE NOTE2(2)	SEE NOTE2(a)	WITH	WITHOUT	WITH		
	47272-0022	WITH	WITHOUT	/	WITH	SEE NOTE2(3)	SEE NOTE2(a)	WITH	WITHOUT	WITH		
	47272-0024	WITH	WITHOUT	/	WITH	SEE NOTE2(1)	SEE NOTE2(a)	WITH	WITH	WITH		FOR SHEET 3
D	47272-0004	WITH	WITH	/	WITH	SEE NOTE2(1)	SEE NOTE2(c)	WITH	WITHOUT	WITH		
	47272-1004	WITHOUT	WITH	/	WITH	SEE NOTE2(1)	SEE NOTE2(c)	WITH	WITHOUT	WITH		
	47272-0025	WITHOUT	WITH	/	WITH	SEE NOTE2(1)	SEE NOTE2(c)	WITH	WITH	WITH		
	47272-0028	WITHOUT	WITH	/	WITH	SEE NOTE2(3)	SEE NOTE2(c)	WITH	WITH	WITH		FOR SHEET 4
C	47272-1005	WITHOUT	WITH	SMT PEG	/	SEE NOTE2(1)	SEE NOTE2(c)	WITH	WITHOUT	WITH		
	47272-0023	WITHOUT	WITH	SMT PEG	/	SEE NOTE2(1)	SEE NOTE2(c)	WITH	WITH	WITH		
	47272-0026	WITHOUT	WITHOUT	/	WITH	SEE NOTE2(1)	SEE NOTE2(a)	WITH	WITHOUT	WITHOUT		FOR SHEET 6
	47272-0027	WITH	WITH	/	WITH	SEE NOTE2(1)	SEE NOTE2(c)	WITH	WITH	WITH		FOR SHEET 7
	47272-0201	WITHOUT	WITHOUT	/	WITH	SEE NOTE2(4)	SEE NOTE2(a)	WITH	WITHOUT	WITH		FOR SHEET 1
	47272-0029	WITHOUT	WITHOUT	/	WITH	SEE NOTE2(1)	SEE NOTE2(a)	WITH	WITH	WITH		FOR SHEET 8

B

<b>REVISED</b> IEC NO: SH2010-0353 DRW:HHH 2010/03/08 CHK:DFYANG05 2010/03/24 APPR:RZHANG 2010/03/29 REV	QUALITY SYMBOLS	GENERAL TOLERANCES (UNLESS SPECIFIED)	DIMENSION STYLE	SCALE	DESIGN UNITS	THIRD ANGLE PROJECTION
	$F_V=0$	mm INCH	MM ONLY	1:1	METRIC	
	$F_G=0$	4 PLACES ± --- ± ---	DRAWN BY DATE	TITLE		
	$F_P=0$	3 PLACES ± --- ± ---	RZHANG 2005/07/01	1.0MM PITCH DISPLAY PORT RECEPTACLE ASSEMBLY		
	2 PLACES ± 0.25 ± ---	CHECKED BY DATE	MOLEX MOLEX INCORPORATED			
	1 PLACE ± 0.25 ± ---	IWANG 2005/07/01	SD-47272-001			
	ANGULAR ± 3 °	APPROVED BY DATE	DOCUMENT NO.			
		RZHANG 2010/03/26	SHEET NO.			
		MATERIAL NO.	5 OF 8			
		SEE CHART	THIS DRAWING CONTAINS INFORMATION THAT IS PROPRIETARY TO MOLEX INCORPORATED AND SHOULD NOT BE USED WITHOUT WRITTEN PERMISSION			

WITHOUT POST

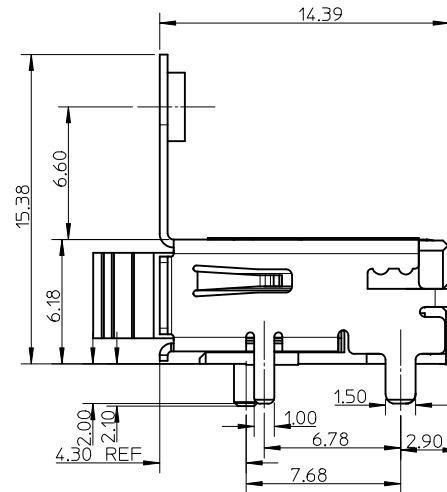
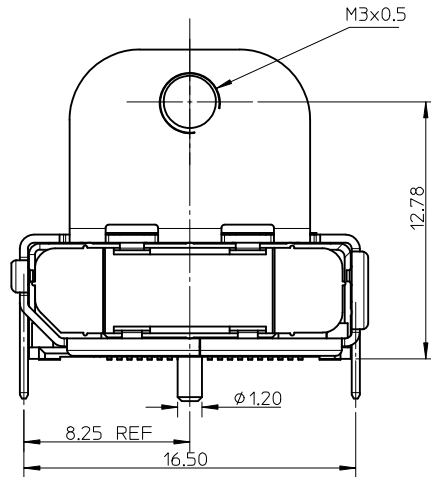
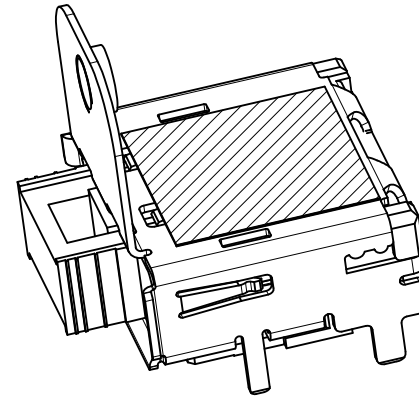
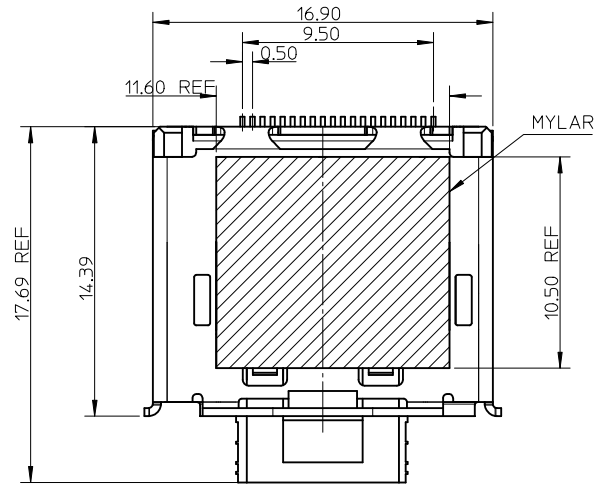


RECOMMENDED PCB LAYOUT (THICKNESS=1.6±0.15)

NOTES:  
UNSPECIFIED DIMENSION ARE SAME AS SHEET1

REVISED EC NO: SH2010-0353 DRW: HHE CHKD: YANG05 APPR: RZHANG	2010/03/08	QUALITY SYMBOLS ▽=0 ▽=0 ▽=0	GENERAL TOLERANCES (UNLESS SPECIFIED)		DIMENSION STYLE MM ONLY		SCALE 1:1	DESIGN UNITS METRIC	THIRD ANGLE PROJECTION
	2010/03/24		mm	INCH	DRAWN BY RZHANG	DATE 2005/07/01	TITLE 1.0MM PITCH DISPLAY PORT RECEPTACLE ASSEMBLY		
	2010/03/29		4 PLACES ± --- ± ---	3 PLACES ± --- ± ---	CHECKED BY IWANG	DATE 2005/07/01			
	REV		DESCRIPTION	2 PLACES ± 0.25 ± ---	1 PLACE ± 0.25 ± ---	APPROVED BY RZHANG	DATE 2010/03/26	MOLEX INCORPORATED	
DRAFT WHERE APPLICABLE MUST REMAIN WITHIN DIMENSIONS			ANGULAR ± 3 °		MATERIAL NO. SEE SHEETS 5		DOCUMENT NO. SD-47272-001	SHEET NO. 6 OF 8	
THIS DRAWING CONTAINS INFORMATION THAT IS PROPRIETARY TO MOLEX INCORPORATED AND SHOULD NOT BE USED WITHOUT WRITTEN PERMISSION									

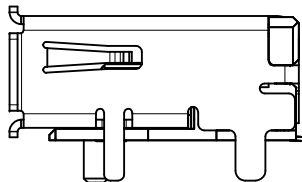
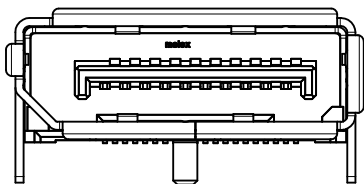
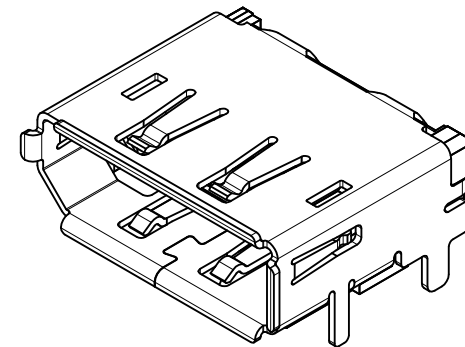
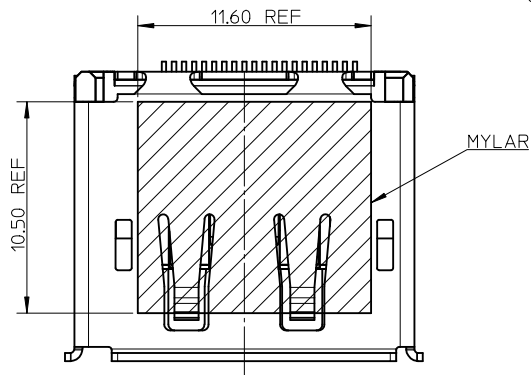




- NOTES:
1. UNSPECIFIC DIMENSION ARE SAME AS SHEET1
  2. THE RECOMMENDER PCB ARE SAME AS SHEET1

REVISED EC NO: SH2010-0353 DRW: HHE 2010/03/08 CHK: D-FYANG05 2010/03/24 APP: RZHANG 2010/03/29	DESCRIPTION REV	QUALITY SYMBOLS	GENERAL TOLERANCES (UNLESS SPECIFIED)		DIMENSION STYLE	SCALE	DESIGN UNITS	THIRD ANGLE PROJECTION	
		$\nabla = 0$	mm	INCH	MM ONLY	1:1	METRIC		
		$\nabla = 0$	4 PLACES ± ---	± ---	DRAWN BY	DATE	TITLE		
		$\nabla = 0$	3 PLACES ± ---	± ---	RZHANG	2005/07/01	1.0MM PITCH DISPLAY PORT RECEPTACLE ASSEMBLY		
			2 PLACES ± 0.25	± ---	CHECKED BY	DATE	MOLEX INCORPORATED		
			1 PLACE ± 0.25	± ---	IWANG	2005/07/01			
			ANGULAR ± 3 °		APPROVED BY	DATE	DOCUMENT NO.		
			DRAFT WHERE APPLICABLE MUST REMAIN WITHIN DIMENSIONS		RZHANG	2010/03/26	SD-47272-001		
					MATERIAL NO.	SHEET NO.			
					SEE SHEETS 5	7 OF 8			
					SIZE A3	THIS DRAWING CONTAINS INFORMATION THAT IS PROPRIETARY TO MOLEX INCORPORATED AND SHOULD NOT BE USED WITHOUT WRITTEN PERMISSION			

STANDARD TYPE WITH MYLAR



NOTES:

- 1. UNSPECIFIC DIMENSION ARE SAME AS SHEET1
- 2. THE RECOMMENDER PCB ARE SAME AS SHEET1

REVISED EC NO: SH2010-0353 DRWN: HHE CHKD: FYANG05 APPR: RZHANG	2010/03/08 2010/03/24 2010/03/29	DESCRIPTION REV	QUALITY SYMBOLS $\nabla = 0$ $\nabla = 0$ $\nabla = 0$	GENERAL TOLERANCES (UNLESS SPECIFIED)		DIMENSION STYLE MM ONLY		SCALE 4:1	DESIGN UNITS METRIC	THIRD ANGLE PROJECTION			
				mm	INCH	DRAWN BY RZHANG	DATE 2005/07/01	TITLE 1.0MM PITCH DISPLAY PORT RECEPTACLE ASSEMBLY		MOLEX INCORPORATED			
	4 PLACES			± ---	± ---	CHECKED BY IWANG	DATE 2005/07/01						
	3 PLACES			± ---	± ---	APPROVED BY RZHANG		DATE 2010/03/26	MATERIAL NO. SEE SHEETS 5	DOCUMENT NO. SD-47272-001	SHEET NO. 8 OF 8		
2 PLACES	± 0.25	± ---	DRAFT WHERE APPLICABLE MUST REMAIN WITHIN DIMENSIONS		SIZE A3		THIS DRAWING CONTAINS INFORMATION THAT IS PROPRIETARY TO MOLEX INCORPORATED AND SHOULD NOT BE USED WITHOUT WRITTEN PERMISSION						
1 PLACE	± 0.25	± ---	ANGULAR ± 3 °										